

FEATURES



- Range ability in the ratio of **3:1**
- High accuracy 16bit A/D Converter
- Selectable moving average filter
- Built-in multiple function
- DC 4.00~20.00mA 2-wire loop power
- Zero trim function
- 4 Digit LCD for Parameter alteration and PV out put on the spot



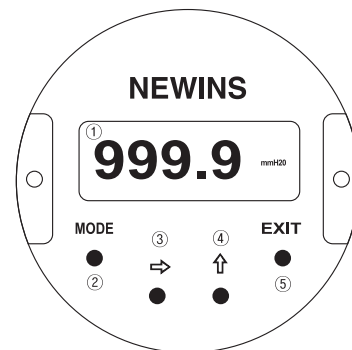
NT3200

NT3300

SPECIFICATIONS

- Measuring and displaying interval : 200ms
- CMRR (Common Mode Rejection Ratio) : 140dB or more
- NMRR (Normal Mode Rejection Ratio) : 60dB or more
- Moving average filter : Selectable(None,04,08,16)
- Vibration(20.. 5000Hz) : 20g
- Diaphragm : Stainless Steel SUS316L
- Oil Filling : Silicon Oil
- Dead Volume change@25℃ : <0.1mm≥/FS
- Sensor Operating Temperature : -30~100℃
- Accuracy : ±0.25%FS
- Power : DC 9~35Volt
- Overpressure : Max range 150%
- Output : 2-Wire DC 4.00~20.00mA load limit (Vsp9V)/0/021=R.Ω
- Case material : ALL SUS 316
- Process connection : NT-3200 PT1/2"
: NT-3300 NPT1/2"
- Operating condition : Operating Temp/Humidity : -10~60℃, 10~90%
Storage Temp/Humidity : -20~70℃, 5~95%
- Etc : Weight(1.0Kg)

PART NAME

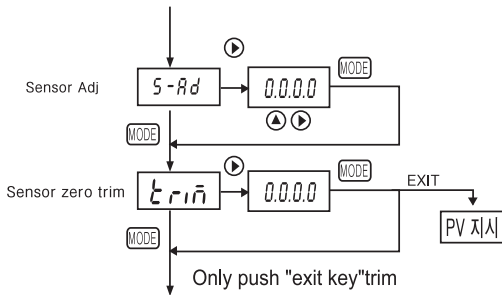


- ① **LCD Window** : Measured value display and Unit Message display
- ② **MODE Key** : Storage the set date and change the operation menu
- ③ **SHIFT Key** : Enter into the data setting mode And modify the changed location
- ④ **UP key** : Change the data value
- ⑤ **EXIT Key** : Out of mode

MAJOR FUNCTION

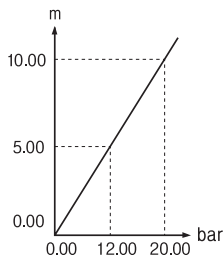
• Sensor zero trim :

It is used to change zero point Be careful of Trim in the normal case. It causes real pressure value to be change.



• Display scaling function:

This Function changes and sets display value according to scale and input range.
 Ex)In case of input range 0.00~20.00bar and Level 0.00~10.00 m

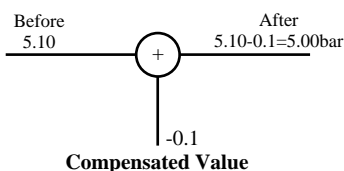


Setting to
 Sensor unit : bar
 High Range : 20.00bar
 Low Range : 0.00bar
 High Scale : 10.00m
 Low Scale : 0.00m

• Sensor compensation function :

The function is useful for compensating error by long sensor line or changed zero point by aged sensor.

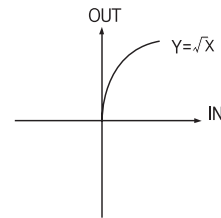
Ex)Before sensor adjust=5.10bar
 After sensor adjust=measured value+compensated value
 =5.10-0.1=5.00bar



• Function

- L_{in}** pass the input as it is. Used for general input type and linearity input.
- S_rt** Pass the input after $\sqrt{\quad}$. Used for flow rate by orifice.

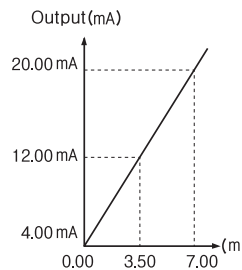
if $x > 0$
 $Y = \sqrt{\{(pv - low\ scale) X (high\ scale - low\ scale)\}}$
 +low scale
 if $x \leq 0$ $Y = 0$



L_{im} Like level measuring, when it does not display measuring under zero, it always can display zero by using Limit function.

• Output scaling function

(Range 0.00~10.00bar, Scale 0.00~7.00m)
 This function can change the 4.00~20.00mA value as the output scale. (H-out)
 Ex)In case of display value 0.00~7.00m,
 Output 4~20mA setting to
 High out (H-out) :7.00 Low out (L-out) :0.00



Setting to
 High out (H-out) : 7.00
 Low out (L-out) : 0.00

• Filter function

Filter is moving average filter and it has 4 kinds of function.

- nonE** it displays the change of input with out filter.
- A_{4,8,16}** it displays in recent input No 4,8,16 sample average.

Setting filter function delays reponse. Do not use filter when high speed response is needed.
 When output and display value are changed by irregular input, it is possible to get regular input and display value by using filter function

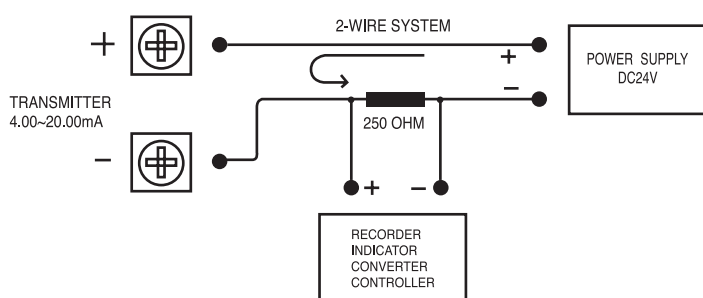
ORDERING CODE

MODEL	TYPE	INDICATOR	RANRE SPAN	CONNECTION	DESCRIPTION	Etc
NT3200					Direct-Mounting	
NT3300					Traditional-Mounting	
	G				Gauge	
	A				Absolute	
		0			Without LCD	
		1			With LCD	
			0		0.0~0.2 bar	
			1		0.0~0.5 bar	
			2		0.0~2.0 bar	-760mmHg~2bar
			3		0.0~5.0 bar	-760mmHg~5bar
			4		0.0~20.0 bar	-760mmHg~20bar
			5		0.0~50.0 bar	
			6		0.0~200.0 bar	
				0	PT 1/2	Std
				1	PT 1/4	Adapter
				2	PF 3/8	Adapter

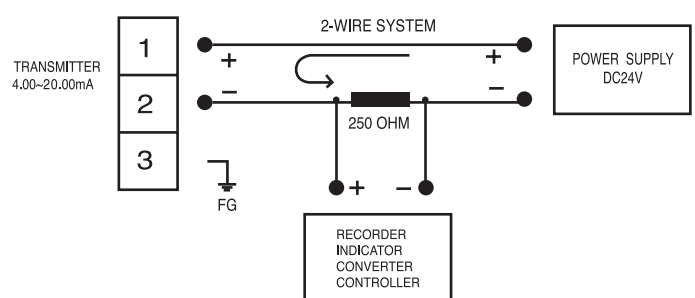
Range ability in the ratio of 3:1

TERMINAL DIAGRAM

* NT3200

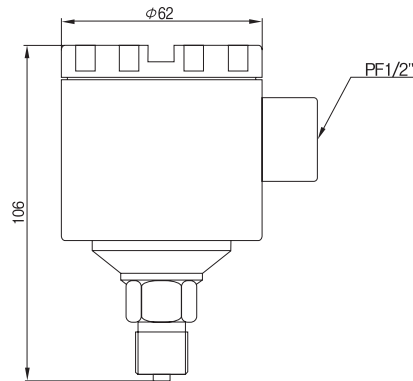


* NT3300

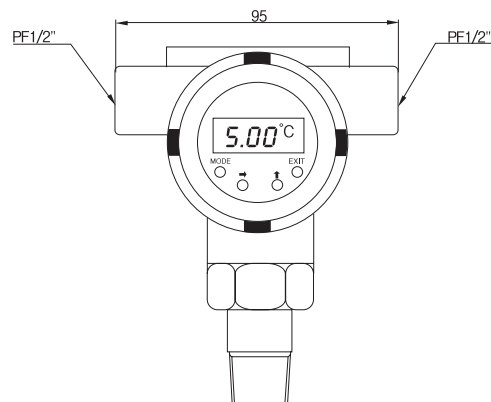
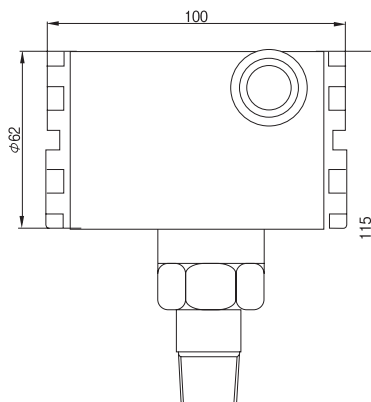


DIMENSION & PANELCUT

※ NT 3200



※ NT 3300



For further information, a quotation or a demonstration please contact to

NEWINS

공업용계측기 제조



지시계, 기록계, 콘버터, 조절계, 압력계, 온도계, 열전대, 밸브

株式會社 뉴인스

서울사무소 : 서울특별시 강서구 염창동 274-8(코인빌딩 801)
TEL : (02)2668-2233 FAX : (02)2668-5100

본사 · 공장 : 경기도 부천시 원미구 약대동 192 부천테크노파크 203동 705호
TEL : (032)-234-0770 FAX : (032)234-0772
http://www.newins.co.kr E-mail:sales@newins.co.kr

대리점 :

