

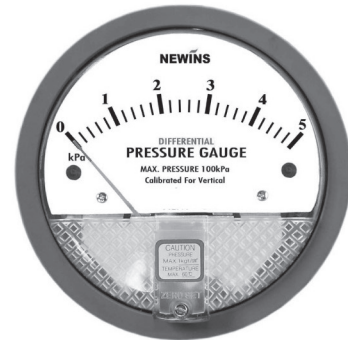
SUMMARY

NDP-2000 Series is a instrument for measuring the differential pressure of the air. The pressure connection port L(low pressure) and H(high pressure), and indicates the two pressure difference.

This differential pressure measurement is possible.

It is possible to measure the flow rate using the measured differential pressure. The differential pressure between the air filter at both ends can be determined performance of the filter.

The measurement differential pressure between the orifice at both ends can be determined flow measurement.



Model. NDP-2000

SPECIFICATIONS

- ▶ **Diameter** : 100mm
- ▶ **Accuracy**
100mm : ± 2.0 of Full Scale
- ▶ **Scale Range** :
100mm : Refer To Range Table
- ▶ **Working Pressure** :
Static Pressure : 75% of Full Scale
Fluctuating Pressure : 60% of Full Scale
- ▶ **Working Temperature**
Ambient : $-10 \sim 60^{\circ}\text{C}$
- ▶ **Pressure connection** :
Brass
- ▶ **Element**
Silicon Rubber
NBR
- ▶ **Case**
Aluminum(Hammer Tone Coating)
- ▶ **Cover**
Aluminum(Hammer Tone Coating)
- ▶ **Window**
Poly Carbonate
- ▶ **Dial**
Aluminum
White Coating
- ▶ **Pointer**
Aluminum
Point : Red color
- ▶ **Process connection** :
PT 1/8 (Female)
- ▶ **Base Pressure**:
0.1 Mpa
- ▶ **Type**
Panel Attachment Type - Bracket

A

B

C

D

E

F

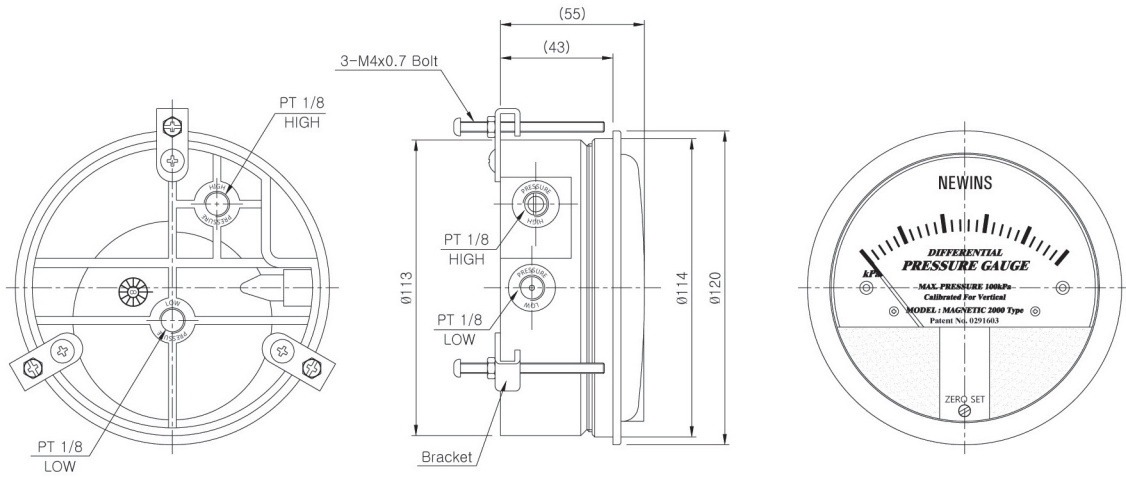
G

H

I

J

DIMENSION



Model. NDP-2000

STANDARD SPECIFICATIONS

Unit: : mmH₂O

0~50	0~100	0~300	0~500	0~1000	0~2000	0~3000	0~5000
±50	±150	±250	±500	±1000	±1500	±2500	±3000