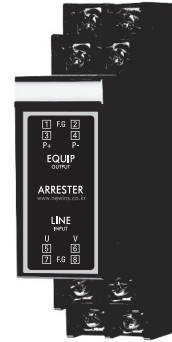


열전대 낙뢰 보호기

THERMOCOUPLE LINE USE ARRESTER

NA-TL

accepts Thermocouple and protect gauge from high-voltage.



GENERAL SPECIFICATION

Wiring : DIN Terminals
 Housing : Plastic
 Mounting : DIN rail Mount

SPECIFICATIONS

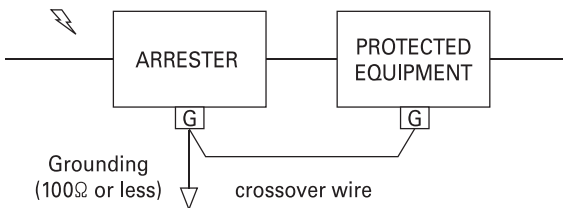
Discharge Voltage : between line : 7.5V or more
 : between line & ground : 500V or less
 Max. Surge Voltage : 16V or less(between lines)
 Response Time : 0.1 μ sec or less
 Discharge Current : 10/20/40KA(8X20 μ sec)
 Max. Load Current : 100mA
 Internal Series Resistance : Approx. 20 Ω
 Max. Line Voltage : 7.5V
 Permissible Leakage Current
 : between line : 10 μ A or less(at 7.5V DC)
 : between line & ground : 5 μ A or less(at 140V DC)

INSTALLATION

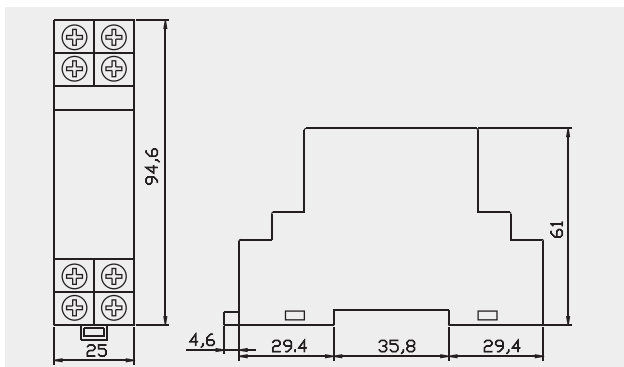
Operating Temperature : -10 ~70 $^{\circ}$ C
 Operating Humidity : 90% RH Max(non-condensing)

GROUNDING

A crossover wire between NA-TL ground or metallic housing of equipment is required for protection.



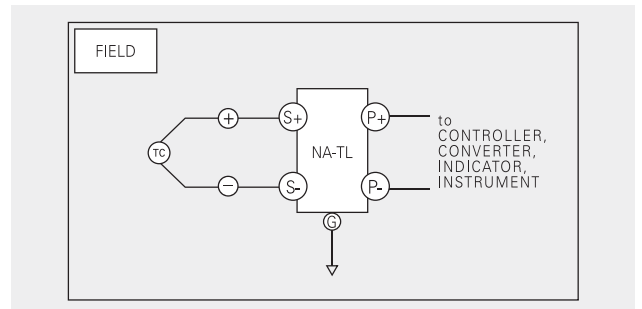
DIMENSION



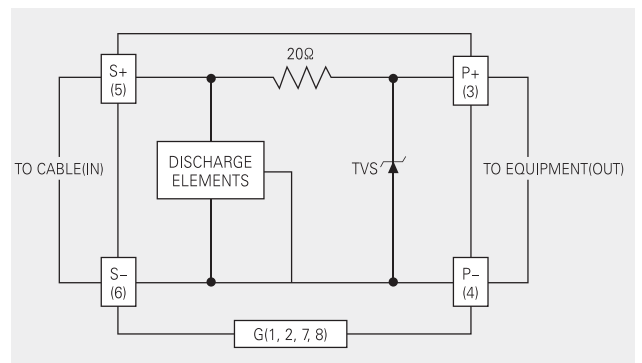
ORDERING CODE SELECTION

MODEL : NA-TL
 DISCHARGE CURRENT
 10 : 10KA
 20 : 20KA
 40 : 40KA

BLOCK DIAGRAM



SCHEMATIC CIRCUITRY



A
B
C
D
E
F
G
H
I
J