

모뎀 낙뢰 보호기

MODEM LINE USE ARRESTER

NA-ML

lighting Arrester is designed specifically for MODEM. It absorbs lightning surges entering through twisted pair cables linking each Comm-device and protects it.



A  
B  
C  
D  
E  
F  
G  
H  
I  
J

GENERAL SPECIFICATION

Wiring : DIN Terminals  
Housing : Plastic  
Mounting : DIN rail Mount

SPECIFICATIONS

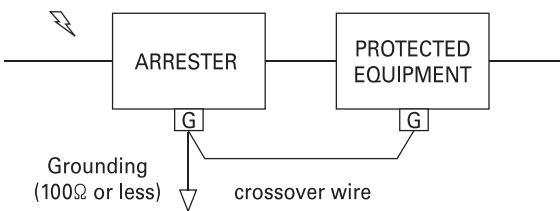
Discharge Voltage : between line : 270V/DC or more  
                              between line & ground : 350V  
Max. Surge Voltage : 650V or less (between lines)  
Response Time : 0.1 μsec or less  
Discharge Current : 10/20/40KA(8X20 μsec)  
Max. Load Current : 500mA  
Internal Series Resistance : Approx. 4Ω(including return)  
Permissible Leakage Current :  
    between line : 100 μA or less(at 160Vdc)  
    between line & ground : 100 μA or less(at 160V DC)

INSTALLATION

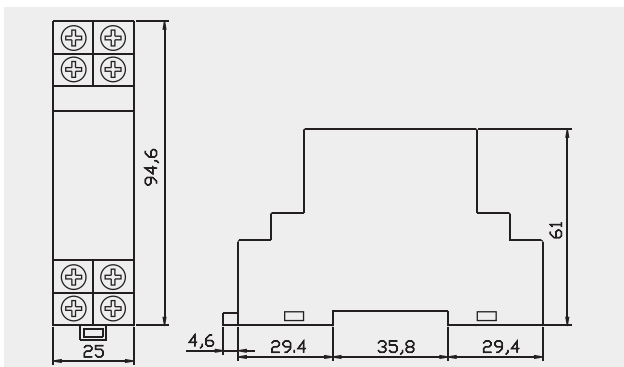
Operating Temperature : -10 ~ 70 °C  
Operating Humidity : 90% RH Max(non-condensing)  
Mounting : Wall or DIN rail

GROUNDING

A crossover wire between NA-ML ground or metallic housing of equipment is required for protection.



DIMENSION

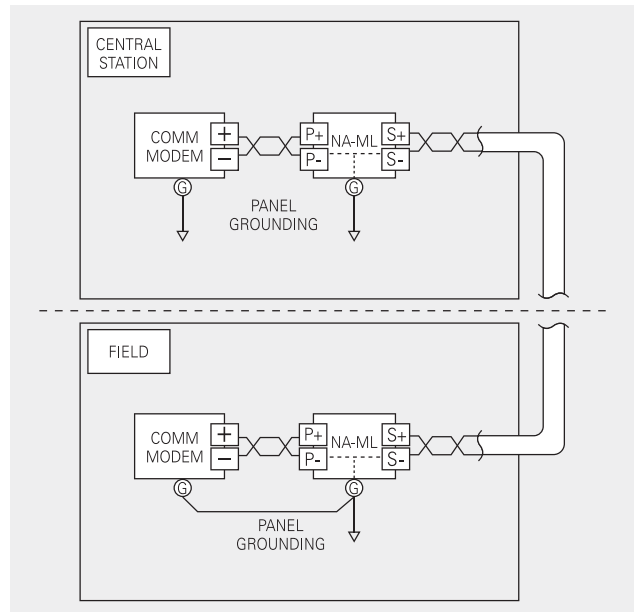


ORDERING CODE SELECTION

MODEL : NA-ML

DISCHARGE CURRENT ●  
10 : 10KA  
20 : 20KA  
40 : 40KA

BLOCK DIAGRAM



SCHEMATIC CIRCUITRY

