

FEATURES

- Multi-range input (T/C, RTD, Volt, mA)
- High accuracy 16bit A/D converter
- Peak hold function (Highest & Lowest)
- Burnout function
- 2 points alarm & Dead band set



SPECIFICATIONS

- ▶ Measuring and display cycle : 100ms
- ▶ Input resistance : Max 1MΩ
- ▶ CMRR(Common Mode Rejection Ratio) : 140dB or more
- ▶ NMRR(Normal Mode Rejection Ratio) : 60dB or more
- ▶ Moving average filter
- ▶ Accuracy : ±0.2% FS
- ▶ Alarm output : 2-SPDT, 1-SPDT
  - Contact output type : Normal open, Normal close
  - Max switching power : 60W 125VA
  - Max switching voltage : DC 220V, AC 250V
  - Max switching current : DC 2A, AC
  - Max Carrying current : DC 3A, AC
- ▶ Power supply
  - Voltage : AC 110/220V(50~60Hz)  
DC 24V(Optional)
  - Power consumption : Max 4VA
  - Isolation resistance : 100MΩ, DC 500V  
(FG-Input, FG-Power,  
Power-Input, Input-Output)

- ▶ Ambient temperature & Humidity
  - Operation : -10~50 °C, 10~90%
  - Storage : -20~70 °C, 5~95%
- ▶ Material
  - Case & Cover : ST 304
  - Stem : ST 304, ST 306
  - Socket : ST 304, ST 306, ST 304L, ST 306L,  
Titanium, Monel, Hastelloy,  
Teflon Lining,  
Glass Lining
- ▶ Dial Size : Ø 100
- ▶ Connection Size : PF 1/2"(STD)
- ▶ Stem out dia : Ø 3.2, Ø 4.8, Ø 6.4, Ø 8.0mm
- ▶ Enclose class : Drip proof
- ▶ Cable Gland : PF 1/2"
- ▶ Etc
  - Weight : 600g
  - Mounting : Local mount

INPUT TYPE

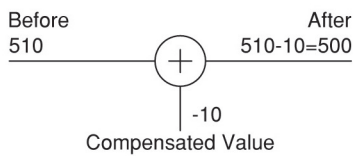
Sensor Type	Range	Scale	Symbol
TC	R(PR 13%)	0~1750℃	ℓ[-r]
	K(CA)	-200~1350℃	ℓ[-ℓ]
	E(CRC)	-200.0~700.0℃	ℓ[-E]
	J(IC)	-200.0~800.0℃	ℓ[-J]
	T(CC)	-200.0~400.0℃	ℓ[-ℓ]
PT	Pt100Ω	-199.9~800.0℃	d-Pℓ
	JPt100Ω	-199.9~500.0℃	J-Pℓ

MAJOR FUNCTIONS

▶ Sensor compensation function

The function is useful for compensating error by long sensor line or changed zero point by aged sensor.

Ex) Before sensor adjust = 510℃  
 After sensor adjust  
 = measured value + compensated value  
 = 510 - 10 = 500℃



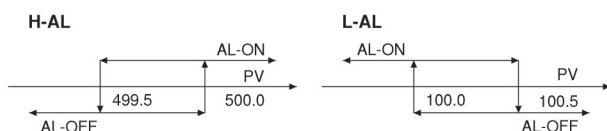
▶ Alarm function

Alarm type : High, Low  
 The alarm consists of 2 relays, and it can output relay contact output individually.

Ex) AL-1 : High alarm value 500.0,  
 AL-2 : Low alarm value 100.0,  
 Alarm dead band setting 0.5

The high alarm(AL-1) is ON when the present value(PV) is 500.0 or more, and OFF when 499.5 or less.

The low alarm(AL-2) is OFF when the present value(PV) is 100.5 or more, and ON when 100.0 or less.



▶ Peak hold function

Peak mode 0 High peak mode

Remember the highest input value and display the highest value when pressing the key.

Peak mode 1 Low peak mode

Remember the lowest input value and display the lowest value when pressing the key.

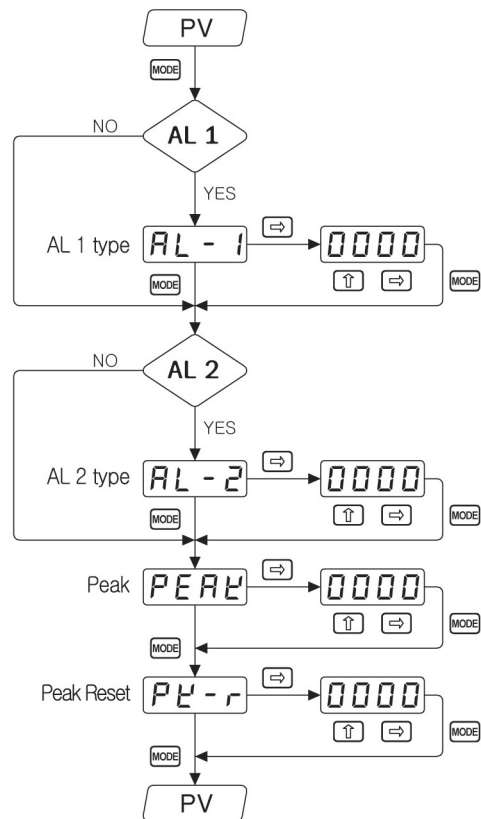
Peak mode 2 High peak & Display mode

Remember the highest input value, display the highest value in ordinary times, and output the highest transmit output.

Peak mode 3 Low peak & Display mode

Remember the lowest input value, display the lowest value in ordinary times, and output the lowest transmit output.

OPERATION MODE

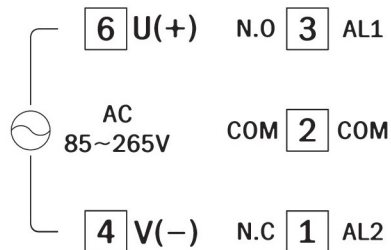


A  
B  
C  
D  
E  
F  
G  
H  
I  
J

**ORDERING CODE**

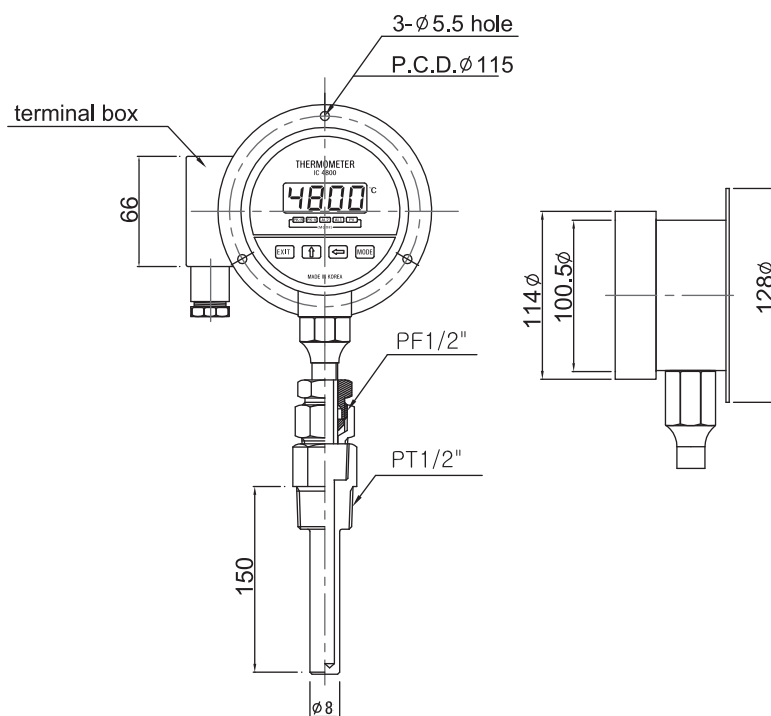
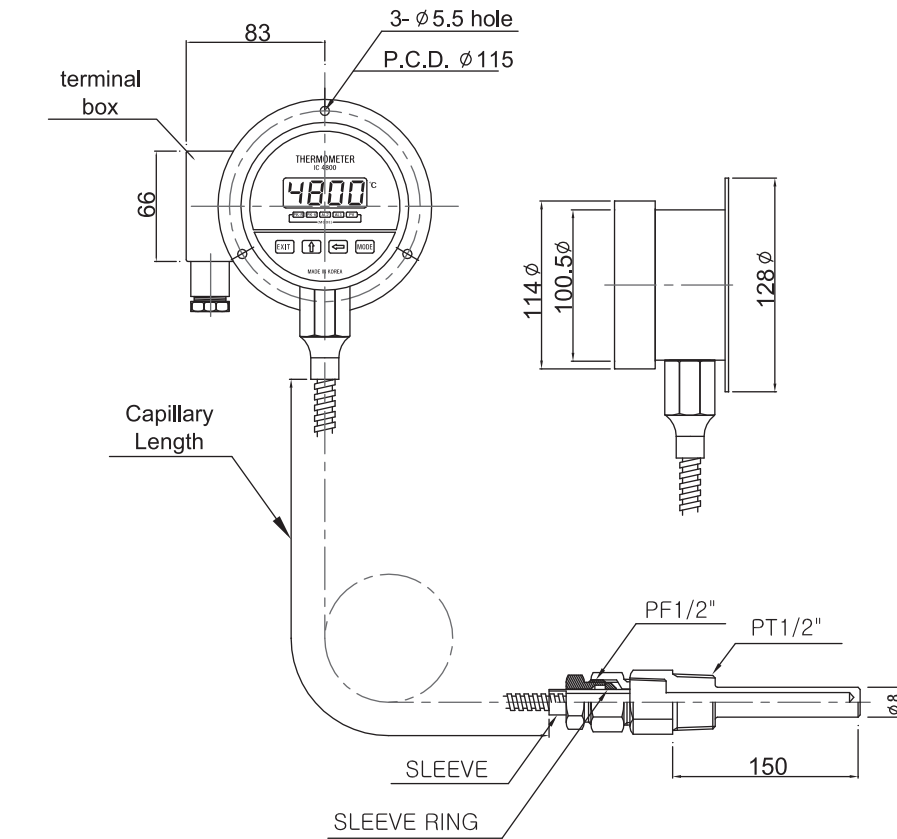
IC 48			-					Description
Type	1 2							Direct mount type Remote-mount type
Power		0 1 2						AC 85~265V (50~60Hz) DC 24V Etc
Inputt			1 2 3					PT (Pt, JPT) T/C (R, K, E, J, T) Etc
Stem (dia x Length + Connection size)				1 2				∅8.0 X 100L + PF1/2" (STD) Others
Well					0 1			None Well spec'
Capillary						-		Capillary Length (Remote type only)

**TERMINAL DIAGRAM**



- \* DC 24V Power (Option)
- \* Alarm Rating : AC 250V 2A(Resistance Load)

DIMENSION & PANEL CUT



A  
B  
C  
D  
E  
F  
G  
H  
I  
J