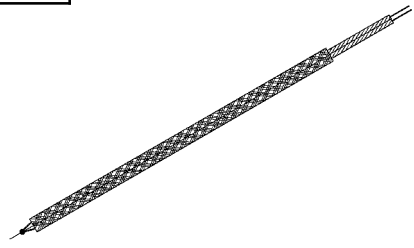
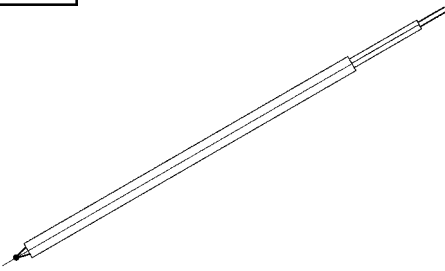
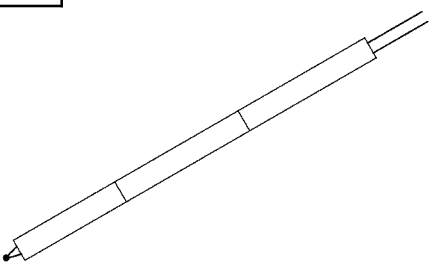
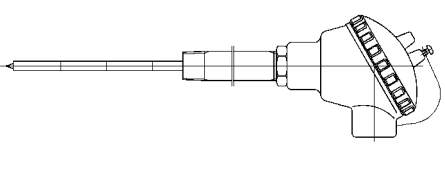
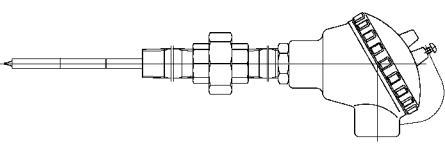
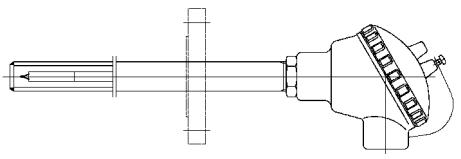
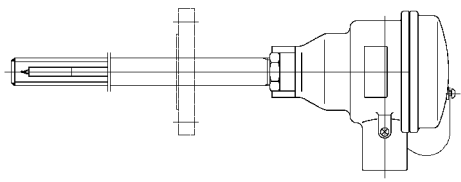
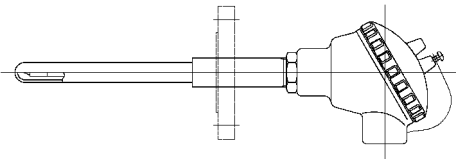
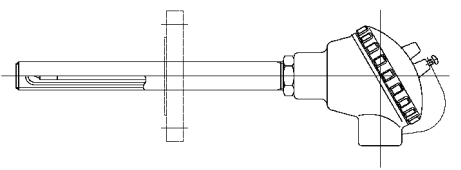


| Basic Model<br>基本形式   | Page | Appearance Shape<br>外觀形状  |
|---|------|---|
| <b>EXE</b>  | B-9  |   |
| 被覆熱電対<br>Fibrous<br>insulated / overall<br>thermocouple   |      |    |
| <b>EXS</b>  | B-10 |   |
| 被覆熱電対<br>FEP<br>insulated / overall<br>thermocouple   |      |    |
| <b>TC</b>   | B-11 |   |
| 絶縁碍子付き熱電対<br>Bare<br>thermocouple<br>with ceramic<br>insulator  |      |   |
| <b>TCN</b>  | B-12 |   |
| ヘッド・絶縁碍子<br>付き熱電対<br>Bare<br>thermocouple<br>with ceramic<br>insulator /<br>connection head /<br>nipple         |      |  |
| <b>TCU</b>  | B-13 |   |
| ヘッド・絶縁碍子<br>付き熱電対<br>Bare<br>thermocouple<br>with ceramic<br>insulator /<br>connection head /<br>nipple / union |      |  |

| Basic Model<br>基本形式   | Page | Appearance Shape<br>外觀形状  |
|---|------|---|
| <b>TCW</b>  | B-14 |   |
| ヘッド・絶縁碍子<br>付き保護管式熱電対<br>Bare<br>thermocouple<br>with ceramic<br>insulator /<br>connection head /<br>protection tube                  |      |    |
| <b>TCG</b>  | B-15 |   |
| 耐圧防爆形<br>絶縁碍子付き<br>保護管式熱電対<br>Explosion-proof<br>thermocouple<br>with ceramic<br>insulator /<br>protection tube                       |      |    |
|   | d2G4 |   |
| <b>TCP</b>  | B-16 |   |
| ヘッド・絶縁碍子<br>付き<br>保護管式熱電対<br>Bare<br>thermocouple<br>with ceramic<br>insulator /<br>connection head /<br>protection tube              |      |  |
| <b>TCR</b>  | B-17 |   |
| ヘッド・絶縁碍子<br>付き 2重保護管式<br>熱電対<br>Bare<br>thermocouple<br>with ceramic<br>insulator /<br>connection head /<br>double protection<br>tube |      |  |
|   | B-18 |   |