

The NT-3100series of pressure transmitter, adjustable Zero and Span in the field are extremely versatile and suitable for measuring.

Moreover it uses high accuracy trusty with stainless steel diaphragm witch is possible to measure 0~0.06 to 25kg/cm² and 0~1 to 1,000kg/cm²

FEATURES

- Easy to adjust Zero and Span
- Temperature compensated
- Excellent corrosion and steel diaphragm
- High accuracy and low temperature drift
- Shock and Vibration resistant

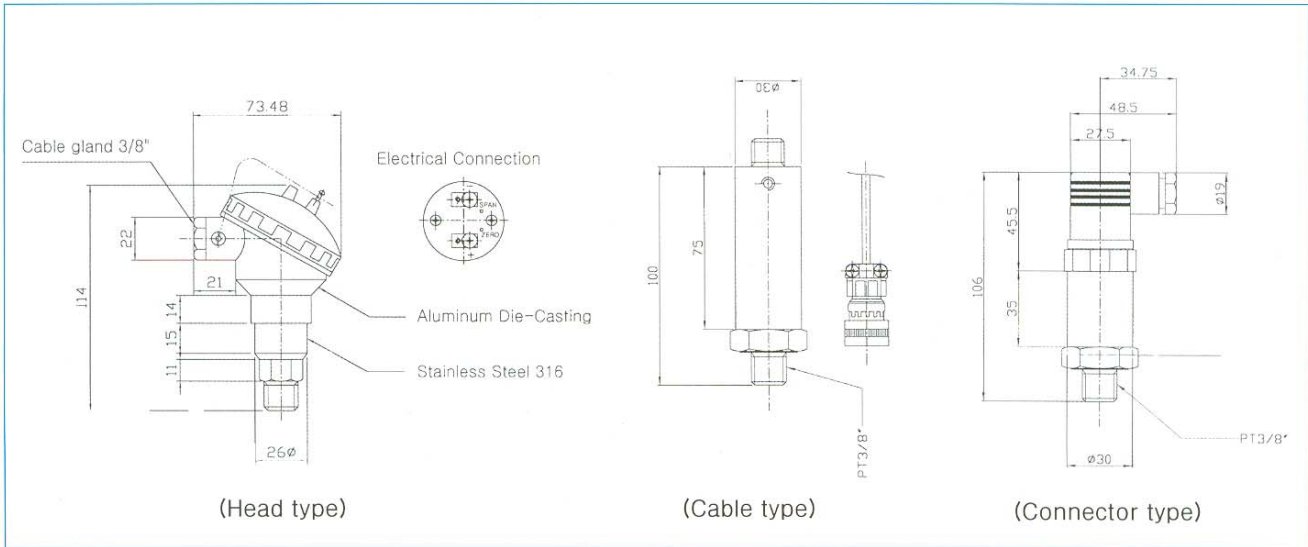
SPECIFICATION

- Media : Gas, Oil, Water
- Measuring range : 0~0.06 to 25kg/cm²
: 0~1 to 1000kg/cm²
- Over load : 300% of Max span
- Electric specification character
 - Power : DC 18~26V,
Ripple ≤500mV p-p
 - Output : 4~20mA
 - Load resistance : 500Ω at 24VDC
- Accuracy : ±0.2% FSO
 - Linearity : 0.100% FSS
 - Repeatability : 0.015% FSS
 - Hysteresis : 0.010% FSS
 - Thermal sensitivity shift : 0.500% FSS
 - Thermal zero shift : 0.500% FSS
- Shock resistance : ≤20G
- Cutoff frequency (-3dB) : 0... >5kHz



- Temperature compensated : 0~82℃
- Operating temperature range : -40~125℃
- Material of construction isolating
 - Diaphragm : SUS316L
 - Wetted plug : SUS316
 - Gasket O-ring : Viton
 - Case(Head) : AL die-casting
- Process connection : PT3/8"(STD), PT1/4", PT1/2"
- Weight : About 270g

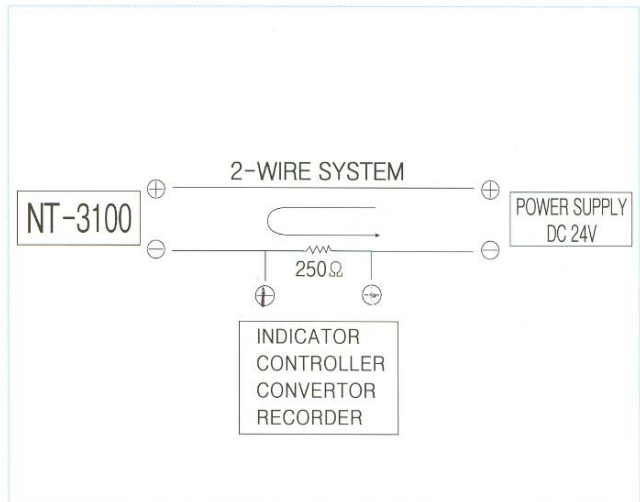
DEMENSIONS



ORDERING CODE

Basic Type	NT-3100	G		Description	Gauge pressure
Range			01	0~0.2kgf/cm ²	
			02	0~0.5kgf/cm ²	
			03	0~1kgf/cm ²	
			04	0~2kgf/cm ²	
			05	0~5kgf/cm ²	
			06	0~10kgf/cm ²	
			07	0~20kgf/cm ²	
			08	0~35kgf/cm ²	
			09	0~50kgf/cm ²	
			10	0~100kgf/cm ²	
			11	0~200kgf/cm ²	
			12	0~300kgf/cm ²	
			21	-76cmHg~0kgf/cm ²	
			22	-76cmHg~1kgf/cm ²	
			23	-76cmHg~2kgf/cm ²	
			24	-76cmHg~5kgf/cm ²	
			25	-76cmHg~10kgf/cm ²	
			26	-76cmHg~20kgf/cm ²	
			ZZ		
Connection			A	PT3/8" (std)	
			B	PT1/4"	
			C	PT1/2"	
			0	Head type	
			1	Explosion proof	
			2	Connector type	
			3	Lead wire	

CONNECTION DIAGRAM



NEWINS

공업용계측기 제조

지시계, 기록계, 콘버터, 조절계, 압력계, 온도계, 열전대, 발브

株式会社 뉴인스

서울사무소 : 서울특별시 강서구 염창동 274-8(코인빌딩 801)

TEL : (02) 2668-2233 FAX : (02) 2668-5100

본사 · 공장 : 경기도 부천시 원미구 약대동 192 부천테크노파크 201동 305호

TEL : (032)234-0770 FAX : (032)234-0772

http://www.newins.co.kr E-mail : sales@newins.co.kr

대리점:

